



OCZ Agility 3 SSD Series – 3rd Generation

The speed of the SATA III interface for value-seekers

Engineered for Cost-Effective Performance

OCZ Agility 3 SATA III Solid State Drives are designed and built to provide an exceptional balance of performance and value. The Agility 3 Series implements the cutting-edge SATA 6Gbps interface to deliver excellent sequential and random data transfer rates, significantly improving your computing experience over hard drives.

Save More. Do More.

In addition to enhanced performance, an Agility 3 upgrade promotes cooler, quieter, and more energy efficient conditions compared to traditional mechanical hard drives. With no moving parts, SSDs provide peace of mind with their superior durability and reliability. Unique and innovative, Agility 3 SSDs deliver a one-of-a-kind storage solution.

APPLICATIONS

- Desktop PCs
- Notebooks

Performance	60GB	120GB	240GB
Max Read ¹	up to 525 MB/s (SATA 6Gbps) up to 280 MB/s (SATA 3Gbps)	up to 525 MB/s (SATA 6Gbps) up to 280 MB/s (SATA 3Gbps)	up to 525 MB/s (SATA 6Gbps) up to 280 MB/s (SATA 3Gbps)
Max Write ¹	up to 475 MB/s (SATA 6Gbps) up to 260 MB/s (SATA 3Gbps)	up to 500 MB/s (SATA 6Gbps) up to 260 MB/s (SATA 3Gbps)	up to 500 MB/s (SATA 6Gbps) up to 260 MB/s (SATA 3Gbps)
4KB Random Read ²	10,000 IOPS (40 MB/s)	20,000 IOPS (75 MB/s)	35,000 IOPS (135 MB/s)
4KB Random Write ²	50,000 IOPS (195 MB/s)	50,000 IOPS (195 MB/s)	45,000 IOPS (175 MB/s)
• Maximum 4KB Random Write ³	80,000 IOPS (310 MB/s)	85,000 IOPS (330 MB/s)	85,000 IOPS (330 MB/s)
Sequential Read ⁴ AS-SSD	180 MB/s	195 MB/s	190 MB/s
Sequential Write ⁴ AS-SSD	65 MB/s	130 MB/s	210 MB/s
4K Random Read ⁴ AS-SSD	12,500 IOPS (50 MB/s)	23,000 (90 MB/s)	38,000 (150 MB/s)
4K Random Write ⁴ AS-SSD	17,500 IOPS (70 MB/s)	35,500 (140 MB/s)	50,000 (200 MB/s)

System Configuration: Intel® Core™ i5 2500K processor, ASUS P8P67 Deluxe Board, Microsoft Windows 7 Ultimate 64-Bit

SPECIFICATIONS

NAND Components	2Xnm Multi-Level Cell (MLC)
Interface	SATA III / 6Gbps (Backwards compatible with SATA II / 3Gbps, but optimized for SATA 6Gbps)
Form Factor	2.5 Inch
Controller	SandForce® 2281
Dimensions (L x W x H)	99.8 x 69.63 x 9.3 mm
Weight	79g
Shock Resistance	1500G
Certifications	RoHS, CE, FCC
MTBF	2 million hours
Power Consumption	Idle: 1.5 Watts Active: 2.7 Watts
Temperature	Operating: 0°C ~ 70°C Ambient: 0°C ~ 55°C Storage: -45°C ~ 85°C
ECC Recovery	Up to 55 bits correctable per 512-byte sector (BCH) *varies depending on exact configuration
Product Health Monitoring	Self-Monitoring, Analysis and Reporting Technology (S.M.A.R.T.)
Serial ATA (SATA)	Fully compliant with Serial ATA International Organization: Serial ATA Revision 3.0. Fully compliant with ATA/ATAPI-8 Standard Native Command Queuing (NCQ)
Operating System	Windows XP 32-Bit and 64-Bit; Windows Vista 32-Bit and 64-Bit; Windows 7 32-Bit and 64-Bit; Mac OS X; Linux
Power Requirements	Standard SATA Power Connector
Performance Optimization	TRIM (requires OS support)
Service & Support	3-Year Warranty, Toll-Free Tech Support, 24 Hour Forum Support, Firmware Updates



¹ Maximum Sequential Speeds are determined using ATTO

² Small file I/O performance is measured using Iometer2008, Queue Depth 32, 4KB Aligned; Logical Block Address (LBA) range: 85% of total drive capacity

³ Small file I/O performance is measured using Iometer2008, Queue Depth 32, 4KB Aligned; Logical Block Address (LBA) range: 8GB

⁴ Incompressible data performance is measured using AS-SSD; 64 thread for 4K specs

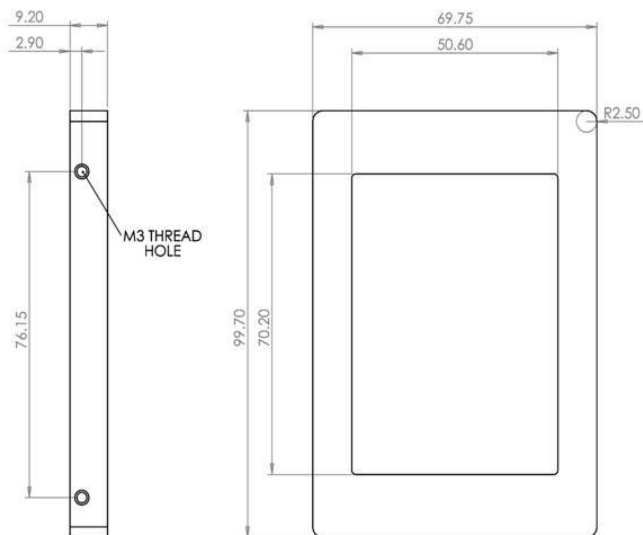
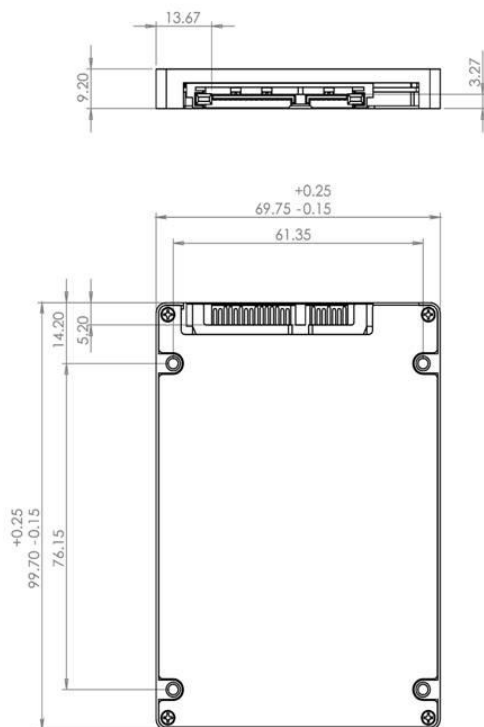
Note: Full performance achieved with a native SATA 6Gbps controller

OCZ Agility 3 SSD Series – 3rd Generation

The speed of the SATA III interface for value-seekers



MECHANICAL SPECIFICATIONS



NOTE:

1. THIS DRAWING MUST BE USED TO IDENTIFY CRITICAL DIMENSIONS, TOLERANCES AND REFERENCE.
2. INTERPRET DIMENSION AND TOLERANCE PER ANSI 14.5M-1994
3. UNLESS OTHERWISE SPECIFIED: DIMENSIONS ARE IN MILLIMETERS

PACKAGING SPECIFICATIONS

Dimensions (L x W x H) 152.4 x 127 x 14.5mm

Weight 220g (including 3.5" desktop adaptor bracket)
140g (without bracket)



ORDERING INFORMATION

PRODUCT	RAW CAPACITY	IDEMA CAPACITY	PART NUMBER	UPC
Agility 3 2.5" SSD	64GB	60GB	AGT3-25SAT3-60G	842024026792
Agility 3 2.5" SSD	128GB	120GB	AGT3-25SAT3-120G	842024026723
Agility 3 2.5" SSD	256GB	240GB	AGT3-25SAT3-240G	842024026730
FOR ASIA ONLY:				
Agility 3 2.5" SSD w/ 3.5" Adaptor Bracket	64GB	60GB	AGT3-25SAT3-60G.B	842024027454
Agility 3 2.5" SSD w/ 3.5" Adaptor Bracket	128GB	120GB	AGT3-25SAT3-120G.B	842024027461
Agility 3 2.5" SSD w/ 3.5" Adaptor Bracket	256GB	240GB	AGT3-25SAT3-240G.B	842024027478