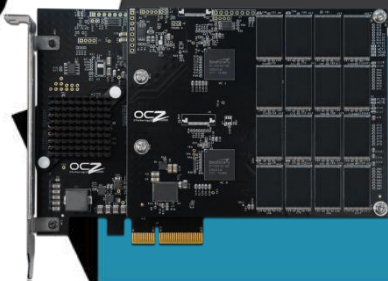


OCZ RevoDrive 3 X2 Series



PCI-Express Solid State Drive with Unprecedented Performance & Features



The award-winning RevoDrive 3 X2 accelerates workstation and high-end computing applications with an innovative PCIe design, state-of-the-art performance, and an advanced data management feature-set.

- Delivers up to 230,000 IOPS
- Bandwidth up to 1.5 GB/s
- Capacity up to 960GB

Single Highest Performing SSD in Prosumer Space

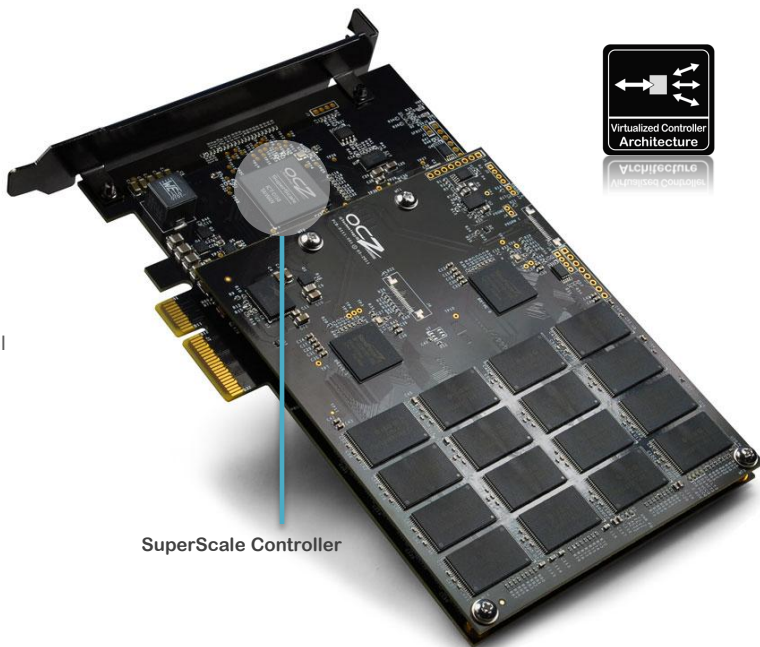
- Up to 3X faster than SATA 6 Gb/s solutions
- Takes full advantage of today's multithreaded processors and software
- Bootable as a direct-attach device
- Easy-to-deploy, single card solution

OCZ Virtualized Controller Architecture

- VCA 2.0 presents as a complete storage subsystem for superior data management
- Only virtualization layer in the industry with TRIM and SCSI unmap support
- Enables SMART monitoring for system administrators

OCZ SuperScale Storage Accelerator

- Facilitates scalable performance for intensive workloads
- Unique complex command queuing structure (CCQS) with queue balancing algorithms (QBA)
- Higher performance and reduced burden on the host CPU



SuperScale Controller

The ultimate storage solution is here. OCZ RevoDrive 3 X2 PCI-Express Solid State Drives were designed with power users and workstation users in mind where storage I/O performance is essential for maximum productivity. Eliminating the SATA bottleneck, the PCIe-based Revo3 X2 delivers ground-breaking 1GB/s of bandwidth and 130,000 4KB random write IOPS making this an ideal SSD for intensive multithreaded workloads, multimedia design, and workstation applications. Along with unprecedented performance, the Revo3 X2 features OCZ's proprietary *Virtualized Controller Architecture (VCA) 2.0* which provides features including TRIM support and SMART data monitoring, something previously unheard of with PCIe solutions. In addition, the Revo3 X2's *SuperScale* storage accelerator enables scalable SSD performance and significantly reduces the host CPU burden inherent to competing PCIe storage offerings. The RevoDrive 3 X2 series is a premium feature rich storage solution that delivers superior performance and reliability through innovative design.

Performance	240GB	480GB	960GB
Max Read ¹	up to 1500 MB/s	up to 1500 MB/s	up to 1500 MB/s
Max Write ¹	up to 1225 MB/s	up to 1250 MB/s	up to 1300 MB/s
Max 4KB Random Write ²	200,000 IOPS (780 MB/s)	230,000 IOPS (900 MB/s)	230,000 IOPS (900 MB/s)

System Configuration: Intel® Core™ i7 2600K processor, ASUS P8P67 Pro Board, Microsoft Windows 7 Ultimate 64-Bit

¹ Maximum Sequential Speeds are determined using ATTO

² Small file I/O performance is measured using Iometer 2010, Queue Depth 64, 4KB Aligned; Logical Block Address (LBA) range: 8GB



OCZ RevoDrive 3 X2 Series

PCI-Express Solid State Drive with Unprecedented Performance & Features

SPECIFICATIONS

Physical	
Usable Capacities (IDEMA)	240GB, 480GB, 960GB
NAND Components	25nm Multi-Level Cell (MLC)
Interface	PCI-Express Gen. 2 x4
Form Factor	PCIe Full Height
Storage Controller	OCZ SuperScale
NAND Controller	SandForce® 2281 x 4
Dimensions (L x W x H)	167.64 x 98.42 x 15.25 mm (dimensions do not include bracket)
Weight	184g (may vary slightly due to capacity)
Reliability/Protection/Security	
MTBF	1 million hours
ECC Recovery	Up to 55 bits correctable per 512-byte sector (BCH) *varies depending on exact configuration
Data Reliability	Read unrecoverable bit error rate (UBER) 10e-16 (<1 in 10 ¹⁶ bits read)
Data Encryption	128-bit & 256-bit AES-compliant
Product Health Monitoring	Self-Monitoring, Analysis and Reporting Technology (SMART) Support
Environmental	
Power Consumption	Idle: 13.5 W Active: 14.3 W
Operating Temperature	0 °C ~ 70 °C
Storage Temperature	-45 °C ~ 85 °C
Certifications	RoHS, CE, FCC
Compatibility	
PCI-Express	Fully compliant with the PCIe Electromechanical Specification Rev. 2.0, and PCI-Express Base Specification Rev. 2.0
Operating System	Windows 7 32-bit and 64-bit
Power Requirements	PCI-Express 12V & 3.3V
Additional Features	
Flash Virtualization Layer	OCZ VCA (Virtualized Controller Architecture) 2.0
Performance Optimization	TRIM/SCSI Unmap (requires OS support), Drivers www.ocz.com/drivers
Secure Erase	Enabled via OCZ Toolbox www.ocz.com/ssd_tools
Service & Support	3-Year Warranty, Toll-Free Tech Support, 24 Hour Forum Support

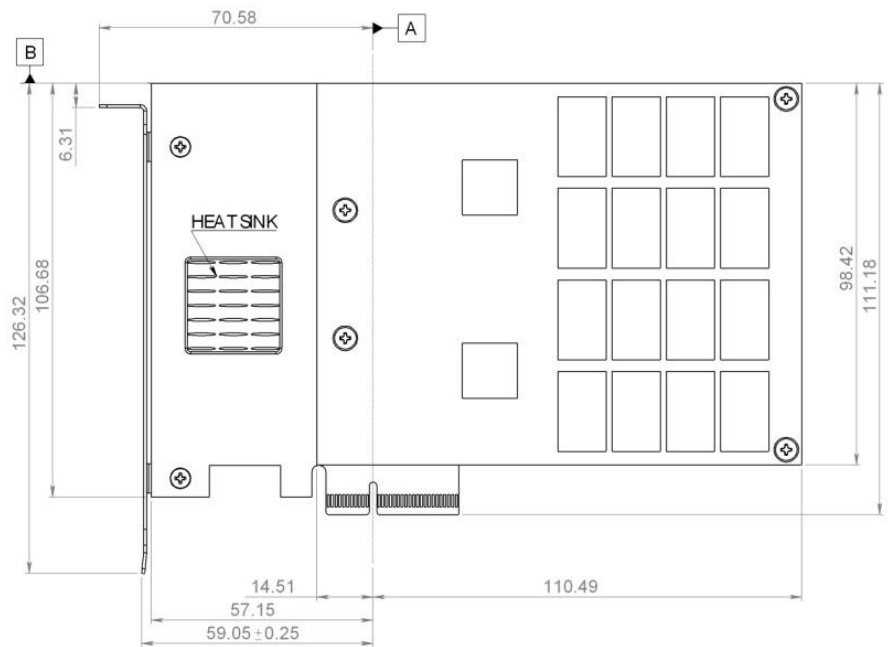
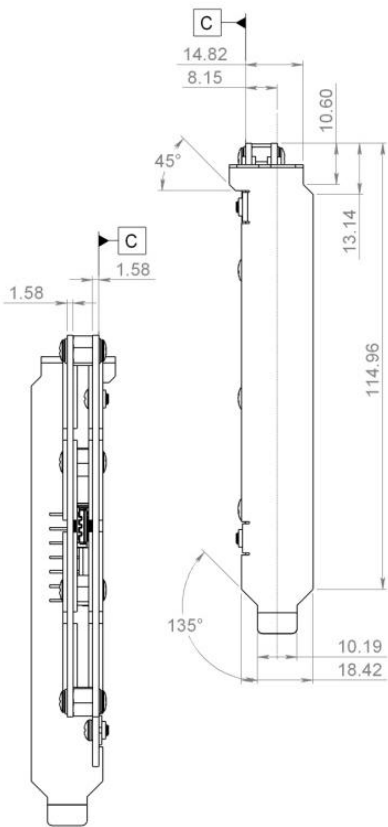
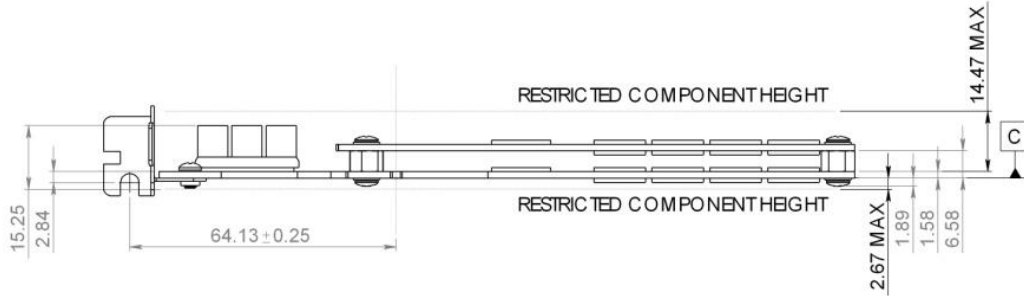


OCZ RevoDrive 3 X2 Series

PCI-Express Solid State Drive with Unprecedented Performance & Features



MECHANICAL SPECIFICATIONS



1. UNLESS OTHERWISE SPECIFIED: DIMENSIONS ARE IN MILLIMETERS.
2. UNLESS OTHERWISE SPECIFIED: ± 0.13 (PCB), ± 0.27 (BRACKET), ± 0.01 "
3. BRACKET MATERIAL: 0.86MM THICK (20 GA)

ORDERING INFORMATION

PRODUCT	RAW CAPACITY	IDEMA CAPACITY	PART NUMBER	UPC
RevoDrive 3 X2	256GB	240GB	RVD3X2-FHPX4-240G	842024027232
RevoDrive 3 X2	512GB	480GB	RVD3X2-FHPX4-480G	842024027102
RevoDrive 3 X2	1024GB	960GB	RVD3X2-FHPX4-960G	842024027065

