

Engineered for Cost-Effective Performance

Any way you look at it solid state drives are faster than HDDs, so why not get the most bang-for-your-buck? OCZ Solid 3 SSDs are designed to provide a superior combination of value & performance. Solid 3 implements the cutting-edge SATA 6Gbps interface to deliver speed that significantly improves your overall computing experience.

Save More. Do More.

In addition to enhanced performance, a Solid 3 upgrade promotes cooler, quieter, and more energy efficient conditions compared to traditional mechanical hard drives leading to a longer battery life. With no moving parts, SSDs also provide peace of mind with their superior durability and reliability.

APPLICATIONS

- Desktop PCs
- Notebooks

Performance

(Full performance achieved with a native SATA 6Gbps controller)

	60GB	120GB
Max Read ¹	up to 500 MB/s (SATA 6Gbps) up to 280 MB/s (SATA 3Gbps)	up to 500 MB/s (SATA 6Gbps) up to 280 MB/s (SATA 3Gbps)
Max Write ¹	up to 450 MB/s (SATA 6Gbps) up to 260 MB/s (SATA 3Gbps)	up to 450 MB/s (SATA 6Gbps) up to 260 MB/s (SATA 3Gbps)
4KB Random Read ²	10,000 IOPS (40 MB/s)	20,000 IOPS (75 MB/s)
4KB Random Write ²	20,000 IOPS (75 MB/s)	20,000 IOPS (75 MB/s)
Sequential Read ³ AS-SSD	175 MB/s	185 MB/s
Sequential Write ³ AS-SSD	60 MB/s	125 MB/s
4K Random Read ³ AS-SSD	12,500 IOPS (50 MB/s)	23,000 (90 MB/s)
4K Random Write ³ AS-SSD	17,500 IOPS (70 MB/s)	33,000 (130 MB/s)

System Configuration: Intel® Core™ i5 2500K processor, ASUS P8P67 Deluxe Board, Microsoft Windows 7 Ultimate 64-Bit

SPECIFICATIONS

NAND Components	Multi-Level Cell (MLC)
Interface	SATA III / 6Gbps (Backwards compatible with SATA II / 3Gbps, but optimized for SATA 6Gbps)
Form Factor	2.5 Inch
Controller	SandForce® 2281
Dimensions (L x W x H)	99.8 x 69.63 x 9.3 mm
Seek Time	0.1 ms
Weight	77g
Power Consumption	Idle: 1.5 Watts Active: 2.7 Watts
Operating Temperature	0°C ~ 70°C
Ambient Temperature	0°C ~ 55°C
Storage Temperature	-45°C ~ 85°C
Shock Resistance	1500G
Certifications	RoHS, CE, FCC
MTBF	2 million hours
ECC Recovery	Up to 55 bits correctable per 512-byte sector (BCH) *varies depending on exact configuration
Product Health Monitoring	Self-Monitoring, Analysis and Reporting Technology (S.M.A.R.T.)
Serial ATA (SATA)	Fully compliant with Serial ATA International Organization: Serial ATA Revision 3.0. Fully compliant with ATA/ATAPI-8 Standard Native Command Queuing (NCQ)
Operating System	Windows XP 32-Bit and 64-Bit; Windows Vista 32-Bit and 64-Bit; Windows 7 32-Bit and 64-Bit; Mac OS X; Linux
Power Requirements	Standard SATA Power Connector
Performance Optimization	TRIM (requires OS support)
Service & Support	3-Year Warranty, Toll-Free Tech Support, 24 Hour Forum Support, Firmware Updates

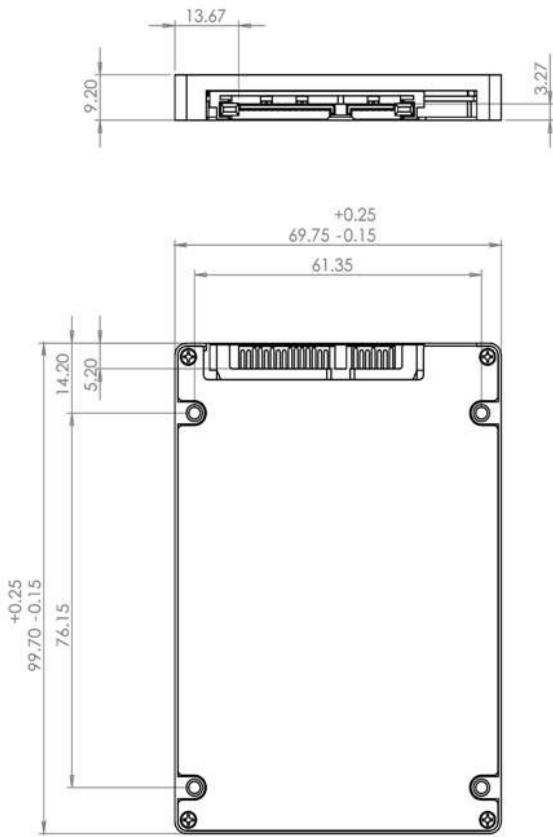


¹ Maximum Sequential Speeds are determined using ATTO

² Small file I/O performance is measured using Iometer 2008, Queue Depth 32, 4KB Aligned

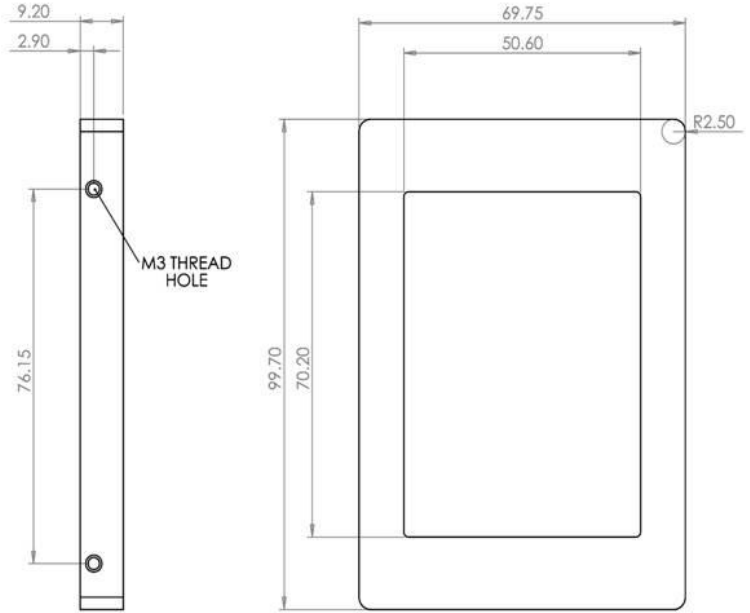
³ Incompressible data performance is measured using AS-SSD; 64 thread for 4K specs

MECHANICAL SPECIFICATIONS



NOTE:

1. THIS DRAWING MUST BE USED TO IDENTIFY CRITICAL DIMENSIONS, TOLERANCES AND REFERENCE.
2. INTERPRET DIMENSION AND TOLERANCE PER ANSI 14.5M-1994
3. UNLESS OTHERWISE SPECIFIED: DIMENSIONS ARE IN MILLIMETERS



PACKAGING SPECIFICATIONS

Dimensions (L x W x H) 152.4 x 127 x 14.5mm

Weight 140g



ORDERING INFORMATION

PRODUCT	RAW CAPACITY	IDEMA CAPACITY	PART NUMBER	UPC
Solid 3 2.5" SSD	64GB	60GB	SLD3-25SAT3-60G	842024026808
Solid 3 2.5" SSD	128GB	120GB	SLD3-25SAT3-120G	842024026815