

Maximized Capacity

The renowned Vertex 2 Solid State Drive Series delivers unprecedented performance while maintaining an affordable storage solution for early adopters looking to update their systems with SSD technology. OCZ designed the Vertex 2 to excel in both sequential and random read/write rates to take your PC or notebook productivity to the next level. Built with SATA 3Gbps, the Vertex 2 Series easily integrates into today's mobile and desktop platforms and features TRIM support to optimize performance over the drive's lifespan.

APPLICATIONS

- Workstation PCs
- Desktop PCs
- Notebooks

Performance	60GB	120GB	240GB
Max Read <i>Compressible Data</i> ¹	up to 280 MB/s	up to 280 MB/s	up to 280 MB/s
Max Write <i>Compressible Data</i> ¹	up to 270 MB/s	up to 270 MB/s	up to 270 MB/s
4KB Random Read <i>Compressible Data</i> ²	30,000 IOPS (115MB/s)	35,000 IOPS (135MB/s)	35,000 IOPS (135MB/s)
4KB Random Write <i>Compressible Data</i> ²	45,000 IOPS (175MB/s)	50,000 IOPS (195MB/s)	50,000 IOPS (195MB/s)
Sequential Read <i>Incompressible Data</i> ³	200MB/s	205MB/s	215MB/s
Sequential Write <i>Incompressible Data</i> ³	95MB/s	130MB/s	140MB/s
4K File Size Read <i>Incompressible Data</i> ³	21MB/s	21MB/s	21MB/s
4K File Size Write <i>Incompressible Data</i> ³	60MB/s	60MB/s	60MB/s

SPECIFICATIONS

NAND Components	34nm IMFT Multi-Level Cell (MLC)
Interface	SATA II / 3Gbps
Form Factor	2.5 Inch
Controllers	SandForce® 1222
Dimensions (L x W x H)	100 x 70 x 9.19mm
Seek Time	0.1 ms
Weight	77g
Power Consumption	Idle: 0.5 W Active: 2 W
Operating Temperature	0°C ~70°C
Ambient Temperature	0°C ~ 55°C
Storage Temperature	-45°C ~ 85°C
Shock Resistance	1500G
Certifications	RoHS, CE, FCC
MTBF	2 million hours
ECC Recovery	Up to 24 bytes correctable per 512-byte sector
Serial ATA (SATA)	Fully compliant with Serial ATA International Organization: Serial ATA Revision 2.6. Fully compliant with ATA/ATAPI-7 Standard Native Command Queuing (NCQ)
Operating System	Windows XP 32-Bit and 64-Bit; Windows Vista 32-Bit & 64 Bit; Windows 7 32-Bit and 64-Bit; Linux, Mac OSX
Power Requirements	Standard SATA Power Connector
Performance Optimization	TRIM (requires OS support)
System Integration	Bundled with 3.5" desktop adapter bracket
Service & Support	3-Year Warranty, Toll-Free Tech Support, 24 Hour Forum Support



¹ Maximum Sequential Speeds are determined using ATTO

² Small file I/O performance is measured using Iometer 2008, Queue Depth 32, 4KB Aligned

³ Incompressible data performance is measured using AS-SSD version 1.6.4067.34354

Note: performance results may vary based on system configuration

OCZ Vertex 2 SSD Series – 2nd Generation

34nm NAND Flash Memory Edition

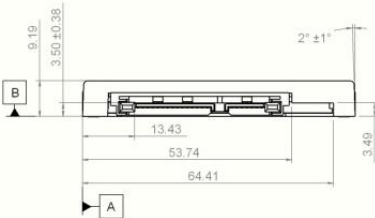
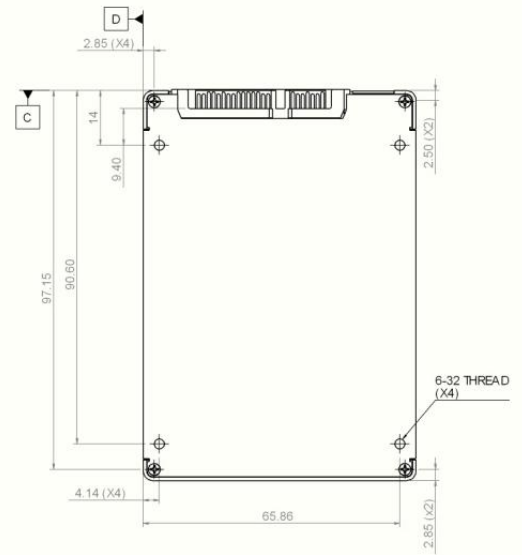
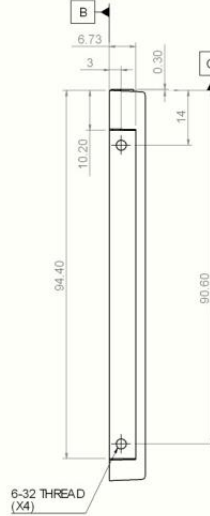
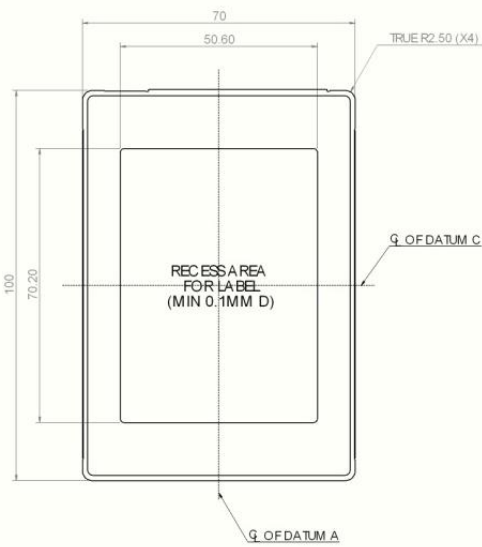


MECHANICAL SPECIFICATIONS

Box Dimensions:
152.4 x 127 x 14.5mm



INCLUDED



NOTE:

1. THIS DRAWING MUST BE USED TO IDENTIFY CRITICAL DIMENSIONS, TOLERANCES AND REFERENCE.
2. INTERPRET DIMENSION AND TOLERANCE PER ANSI 14.5M-1994
3. UNLESS OTHERWISE SEPCIFIED: DIMENSIONS ARE IN MILLIMETERS

ORDERING INFORMATION

PRODUCT	RAW CAPACITY	IDEMA CAPACITY	PART NUMBER	UPC
34nm Vertex 2 2.5" SSD	64GB	60GB	OCZSSD2-2VTX60G.34	842024026501
34nm Vertex 2 2.5" SSD	128GB	120GB	OCZSSD2-2VTX120G.34	842024026495
34nm Vertex 2 2.5" SSD	256GB	240GB	OCZSSD2-2VTX240G.34	842024026488