



Motherboard Compatibility

The OCZ Z Drive PCI-Express Solid State Drive is designed and tested to be compatible with most motherboards, and requires either a X8 PCIe socket or a X16 (used by video cards) PCIe socket. During OCZ's comprehensive motherboard compatibility testing, we found one possible mechanical interface issue on some motherboards, existing only between the PCIe connector and the case. The Z-Drive will not seat properly in the socket if there are any components with a height above the motherboard greater than 8mm (about .320 inch).

How to check if there is an issue:

Look at your motherboard. Visually look from the PCIe8 or PCIe16 connector to the edge of the motherboard. If there are no components in this area, there will not be a problem. If your situation looks like figure 1, the Z-Drive will not fit. If your situation looks like figure 2, the Z-Drive will fit. The card will just pass by the components in this case.

If there are components in line, then refer to figure 3. If the component height is less than 8mm (.320 inch), then there is not an issue.

FIGURE 1

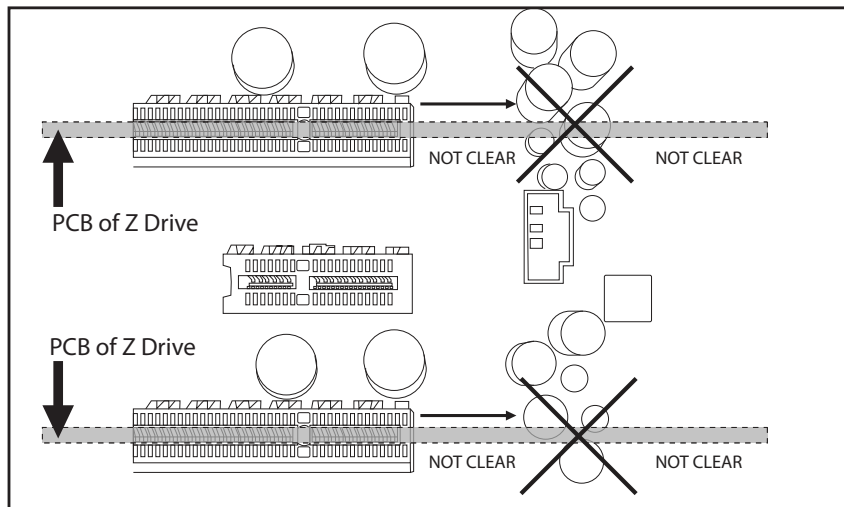


FIGURE 2

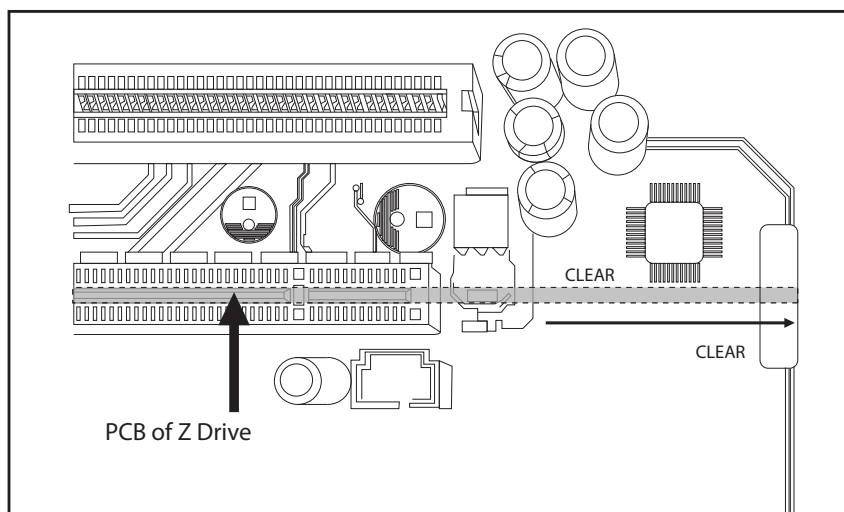


FIGURE 3

