

GLADIATOR

INSTALLATION MANUAL



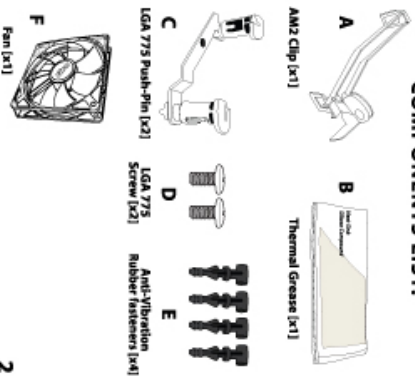
For support, the latest safety and technical information, please visit www.ocztechnology.com

OCZ Technology Inc.
 901 E. Kowals Ave.
 San Jose, CA 95128
 (408) 732-3400 Phone
 (408) 732-3400 Fax
 (408) 732-3400 Sales
support@ocztechnology.com
www.ocztechnology.com

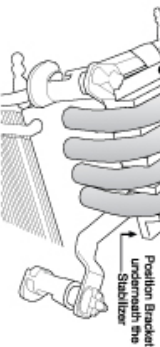
Technical Support
 901 E. Kowals Ave.
 San Jose, CA 95128
 (408) 732-3400 Phone
 (408) 732-3400 Fax
 (408) 732-3400 Sales
support@ocztechnology.com
www.ocztechnology.com

Please read before installation.

COMPONENTS LIST:



Installation for INTEL - LGA775



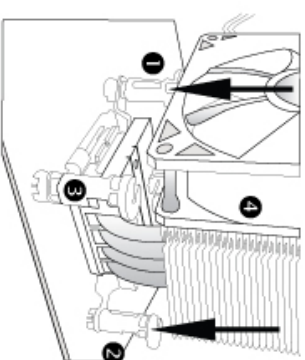
Step 1: Using the supplied screws, attach the Intel brackets with the mounting pegs to the heatsink base.

Preparation for all CPUs



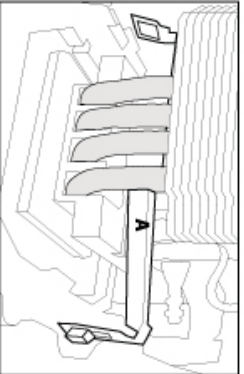
Step 2: Please ensure that the surface of the CPU is clean & does not have any residue of thermal grease.
 1) Remove protective seal from heatsink base & apply thermal grease [B] to the center of the heatsink base.

Installation for AMD AM2 CPUs



Step 3: Carefully place the heatsink on top of the CPU. Press the pegs [C] on opposite corners. (i.e. Push-pins 1 & 2 simultaneously. Repeat for 3 & 4.)

Installation for AMD AM2 CPUs



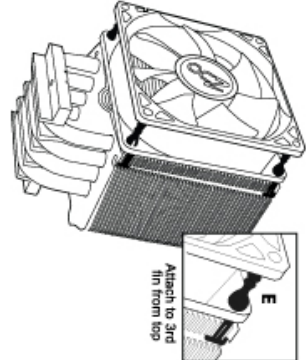
Step 1: Place AM2 clip [A] in the center of the Aluminum Stabilizer with the latch clip facing away from the fan side. Hook AM2 clip on retention bracket with the latch clip in the "released" position.

Fan Installation



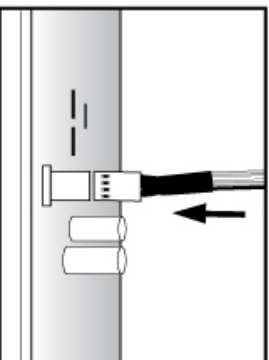
Step 1: Attach anti-vibration rubber fasteners [E] to fan.

Preparation for all CPUs



Step 2: Slide rubber fasteners [E] onto heatsink fins. (OCZ recommends fastener be attached to 3rd fin from top)

Installation for all CPUs



Step 3: Connect the fan wire to motherboard.